



SECUTRON
Fire Alarm Systems

**MODUL-R™
MRI-MPG SERIES**

ADDRESSABLE PULL STATIONS



GENERAL DESCRIPTION

Attractive and durable, the MRI-MPG Series of pull stations provide manual fire reporting. The MRI-MPG series pull stations are non-coded, single or double action devices which initiate an alarm when pulled.

Resetting is accomplished by inserting a 1/8" screwdriver from the front. The handle, once pulled will remain open and cannot be reset without utilizing the screwdriver.

The MRI-MPG Pull stations are constructed of durable aluminum and finished in red. An abrasion resistant label with large, raised letters provide clear legible instructions.

The model MRI-MPG2 (two stage) is similar to the MRI-MPG1 (single stage) except it contains an additional General Alarm (G.A.) N.O. switch. For safety reasons, the G.A. switch is only accessible after the handle has been pulled. A special key is supplied with each unit.

All pull stations can be easily converted from single action to double action by the addition of the MRM-MSDA double action lever.

OPERATION

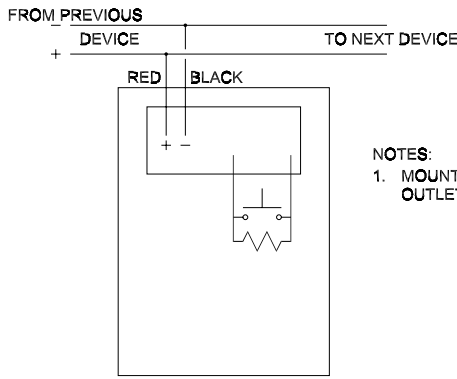
Pulling on the station's handle will release the internal switch to trigger the alarm detection circuit.

The MRI-MPG2 (two stage version) also provide a key switch which is accessible after the handle has been pulled. Operation of the key switch, when connected to a separate general alarm circuit, will initiate the 2nd stage of a two stage alarm signalling system.

FEATURES

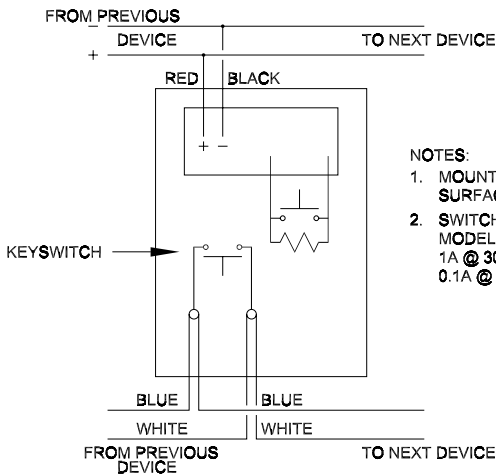
- UL and ULC Listed
- Durable Extruded Aluminum Construction
- Attractive, Low Profile Design
- Standard Single Gang Mount
- Converts to Double Action
- Glass Rod Optional (one provided)
- English and French wording
- Spanish wording available
- Portuguese wording available

MODUL-R MRI-MPG Series Addressable Pull Stations



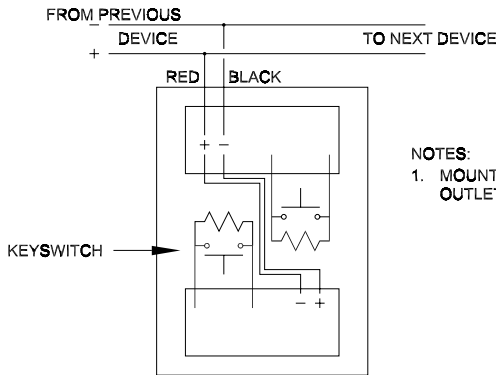
MRI-MPG1 Wiring

NOTES:
1. MOUNT TO A 2x4x2.25
OUTLET BOX.



MRI-MPG2 Wiring

NOTES:
1. MOUNT TO MRM-BS300
SURFACE MOUNT BOX.
2. SWITCH RATINGS, ALL
MODELS:
1A @ 30VDC
0.1A @ 125VAC



MRI-MPG2A Wiring

NOTES:
1. MOUNT TO A 2x4x2.25
OUTLET BOX.

ORDERING INFORMATION

Model	Description
MRI-MPG1	Single Stage Addressable Pull Station c/w Glass Rod Feature
MRI-MPG2	Two Stage Addressable Pull Station, 1 Address c/w Glass Rod Feature; Requires MRM-BS300 Surface Mount Box
MRI-MPG2A	Two Stage Addressable Pull Station, 2 Addresses c/w Glass Rod Feature

Accessories

MRM-MSDA	Double Action Lever Kit for MRI-MPG Series
MRD-BS300	Surface Mount Back Box
MRM-GLASS	Glass Rods, 10 count

Spanish

MRI-MPG1-SPJ	Single Stage Addressable Pull Station c/w Glass Rod Feature, Spanish (Fuego, Jale)
MRI-MPG1-SPH	Single Stage Addressable Pull Station c/w Glass Rod Feature, Spanish (Fuego, Hale)
MRI-MPG2-SPJ	Two Stage Addressable Pull Station, 1 Address c/w Glass Rod Feature, Spanish (Fuego, Jale); Requires MRM-BS300 Surface Mount Box
MRI-MPG2-SPH	Two Stage Addressable Pull Station, 1 Address c/w Glass Rod Feature, Spanish (Fuego, Hale); Requires MRM-BS300 Surface Mount Box
MRI-MPG2A-SPJ	Two Stage Addressable Pull Station, 2 Address c/w Glass Rod Feature, Spanish (Fuego, Jale)
MRI-MPG2A-SPH	Two Stage Addressable Pull Station, 2 Address c/w Glass Rod Feature, Spanish (Fuego, Hale)

Portuguese

MRI-MPG1-PT	Single Stage Addressable Pull Station c/w Glass Rod Feature, Portuguese (Fogo, Puxe)
MRI-MPG2-PT	Two Stage Addressable Pull Station, 1 Address c/w Glass Rod Feature, Portuguese (Fogo, Puxe); Requires MRM-BS300 Surface Mount Box
MRI-MPG2A-PT	Two Stage Addressable Pull Station, 2 Address c/w Glass Rod Feature, Portuguese (Fogo, Puxe)



Secutron Inc.
Electronic Protection Systems
70 Esna Park Drive, Unit 14
Markham, Ontario, Canada
L3R 6E7

Tel: (905) 470-4070
Fax: (905) 470-2880
Toll Free: 1-800-387-8058
E-mail: inquiry@secutron.ca
www.secutron.ca

One River Place
1225 East River Drive, Suite 210
Davenport, IA 52803
Phone: 1-888-673-2900
Fax: (319) 322-0497

MODUL-R™ is a
trademark of Secutron Inc.



MODUL-R MRI-MPG Series Addressable Pull Stations